

Totally transform your old conservatory



with the revolutionary
Guardian Warm Roof system
and Pilkington Optitherm™
S1 Plus window glass

Imagine transforming your old conservatory into a new study, lounge, kitchen or playroom – in just three days – with little or no disruption to your home life.



Enjoy your conservatory – whatever the weather...



WITH THE NEW GUARDIAN WARM ROOF SYSTEM

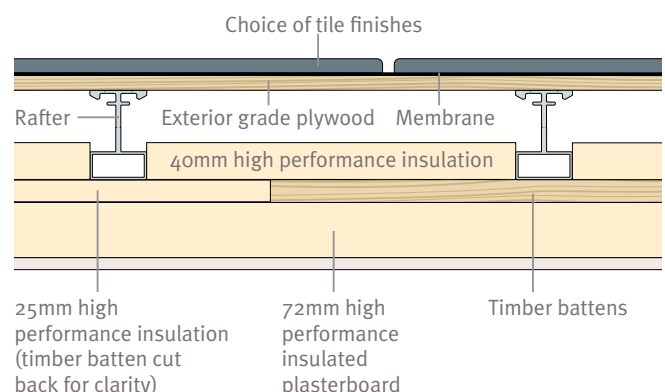
- High performance insulated warm roof conversion system
- Provides energy cost savings
- Reduces rain noise and glare
- Fits onto existing structure
- Pre-engineered lightweight frame
- Superior thermal efficiency
- Fully certified and guaranteed

And Pilkington Optitherm™ S1 Plus heat-retaining window and door glass

- The latest in high performance heat-retaining glass
- Retrofitted into existing window and door frames
- Reflects heat back into room in winter
- Increases thermal efficiency by up to 64%



Guardian warm roof construction





Designed and manufactured in Ireland, the Guardian Warm Roof system is a complete roof replacement that fits onto your existing structure.

THE AFFORDABLE GUARDIAN WARM ROOF CONVERSION SYSTEM



Fully certified and guaranteed conservatory roof replacement



Reduced fuel bills for the life of the roof



Comfortable ambient temperature all year round



A wide range of roof colours and finishes available



Achieves a U Value of 0.16 (Ireland)



Thermal, structural and condensation risk tested



Fast installation utilising existing walls, windows and doors via our **nationwide installer network**



Fully guaranteed

ENERGLAZE

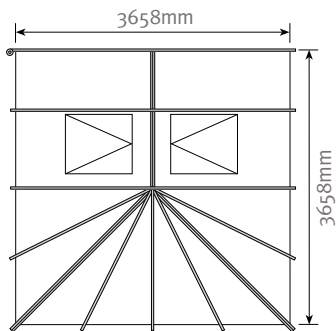
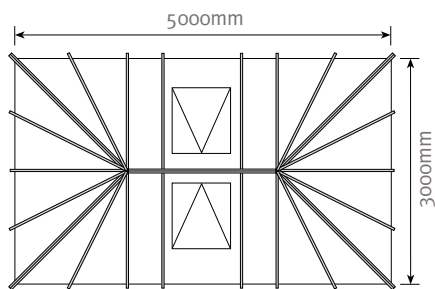
Your frames. Our panes. www.energlaze.ie

Roof design options

Guardian Warm Roof provides warm roof solutions for existing conservatory roof designs. Bespoke solutions also are available.

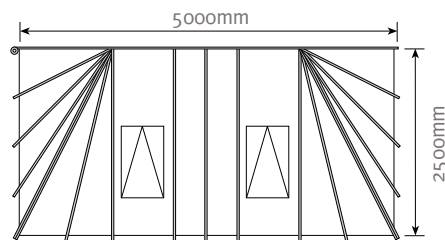
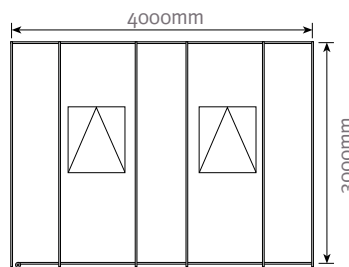
Edwardian

This is the classic sunroom shape. Together with attractive roof windows the Edwardian Guardian roof is the traditional safe bet for styling and convenience. The Edwardian shape also helps to maximise the room space below. The roof is very sympathetic to all house styles as its ridge is so versatile. It can also be the perfect solution to a bungalow extension.



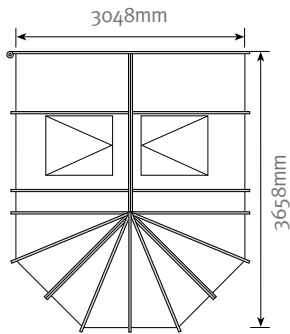
Lean-to

The Guardian Lean-to is ideal for maximising space at the back of the house. The ends can either have one or two hips (slopes). It is ideal for kitchen extensions and can go as low as 15 degrees with roof windows.



Victorian

The Victorian roof can also work really well if you don't have as much space in the garden as you would like. The internal plaster finish on the roof can look really attractive with its facet front finish.



Gable ended

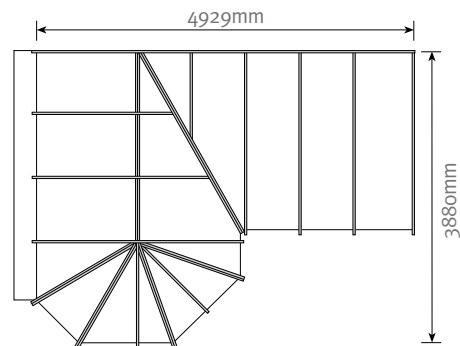
The main feature of the gable ended is the continuous height it brings to the room due to its long ridge down the centre. The gable also allows you to get the most from your roof windows giving you a light and airy space. Suitable for replacement or new build.



Combination

Increase your options with a combination Guardian sunroom. A P-shape simply combines the benefits of two different styles to maximise your living environment. The combination can also come in what is called a T-shape.

Designs are as individual as you are.





Did you know that eight times more heat in your home escapes through old window glass?

It's true. In fact, according to the Sustainable Energy Authority of Ireland (www.seai.ie), "of all the components in a building, it is through the windows that most heat is lost. This is because glass allows more heat to escape more readily than most other building materials. In fact, given the same area of window and wall, the window will allow up to 8 times more heat to escape.*"

That's why ENERGLAZE insists on retrofitting your new conservatory with the latest hi-tech, energy-efficient glass from Pilkington.



Optitherm™ S1 Plus heat-retaining™ glass:

- Is 82% more efficient than single glazing
- And 64% more efficient than standard double-glazing
- Significantly reduces your annual heating bills
- Lets you enjoy your conservatory all year round
- Is designed to reflect radiated heat back into your conservatory during winter months

A choice of glass options:

- Acoustic glass (if noise is an issue)
- Anti-fade glass to prevent furniture and curtains fading
- Toughened safety glass to comply with building regulations

* Excerpt from SEAI "A Guide Insulating Your Home"

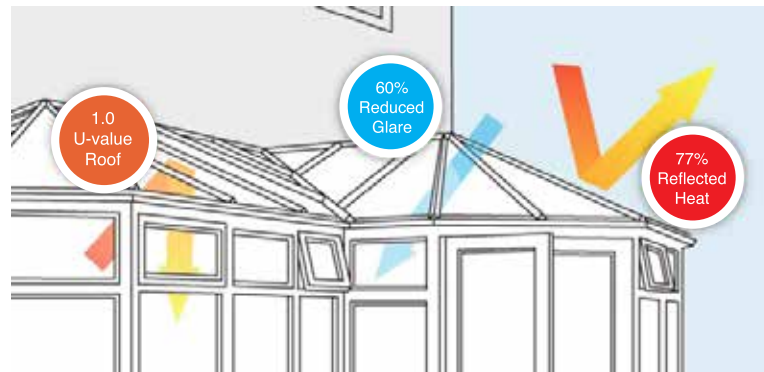
YOUR CONSERVATORY, YOUR WAY

Warm Roof System, New Glass Roof or Glass Upgrade.

If a Guardian Warm Roof is not for you then **ENERGLAZE** can install a completely new glass roof or simply upgrade the glass in an existing roof. So you can still enjoy all the many benefits of a brighter, more comfortable conservatory all year round.

If you want more choice, choose **ENERGLAZE**.

To help you enjoy your new conservatory to the fullest, **ENERGLAZE** also offers two more hi-tech, high performance glass types from Pilkington designed specifically for your conservatory roof.



Solar Control

All too often the wrong type of glass is specified for conservatory roofs, making them too bright and too hot in summer and too cold in winter. **ENERGLAZE** install a solar control glass which can block solar heat gain by 77% and reduce glare by 60% while still offering thermal efficiency improvements of up to 64%. All this in one double-glazed unit meaning we literally have a glass solution for all seasons!

Solar control glass is also available in toughened or laminated versions for added safety and security.

Self-Cleaning Glass

Representing a real breakthrough in the glass technology, Pilkington pioneered dual-action self-cleaning glass with the introduction of Pilkington Activ™.

Perfect for those awkward-to-reach areas of your conservatory roof, Pilkington Activ™ reduces the need for cleaning by using the forces of nature – including daylight and rain to break down and wash away organic dirt – to maintain a cleaner and clearer appearance.



When it comes to conservatories - **ENERGLAZE** gets you covered!



ENERGLAZE operates on a nationwide basis and further information
is available on www.energlaze.ie

ENERGLAZE
Your frames. Our panes.

To book a free quote, call (01) 901 1635, (021) 601 0095 or email info@energlaze.ie